

BRITE BOX™ T1+FLC/6B KIT - INSTALLATION INSTRUCTIONS

Made In U.S.A.

www.thebritebox.com

U.S. Pat. Pend.

CAUTION! THIS KIT IS DESIGNED SPECIFICALLY FOR TOYOTA VEHICLES WITHOUT DAYTIME RUNNING LIGHTS (DRL)! YOU MUST BE AWARE OF THE FACT THAT THERE ARE VEHICLES THAT WERE EQUIPPED WITH DRL, BUT HAVE HAD THEM DISABLED BY THE OWNERS! AS TOYOTA USES COMPLETELY DIFFERENT WIRING SYSTEMS FOR DRL AND NON – DRL VEHICLES, THIS KIT IS NOT COMPATIBLE WITH VEHICLES WHOSE DRL'S HAVE BEEN DISABLED. INSTALLING THIS KIT INTO A DRL VEHICLE WILL RESULT IN DAMAGE TO UNITS AND POSSIBLY VEHICLE THAT WILL NOT BE COVERED UNDER WARRANTY! IF YOU ARE NOT SURE IF YOUR VEHICLE WAS FACTORY DELIVERED WITHOUT DRL, WE SUGGEST YOU GIVE YOUR VEHICLE IDENTIFICATION NUMBER TO A TOYOTA DEALER TO FIND OUT!

This kit illuminates your low beams and factory installed fog lights when your high beams are on. This provides you with an even carpet of light that stretches from near to far. Without BRITE BOX, your low beams and fog lights drop out when your high beams are on. On many vehicles, you can simulate the operation of the BRITE BOX by activating the "flash to pass" function when your low beams are on. When doing this, you will see an increase in lighting brightness and the quality of the headlight's beam pattern. Many people try to drive like this, but often find out that the headlight switch or wiring of their vehicles burn out since they are not designed to handle these increased loads on a continual basis. With BRITE BOX, you can enjoy the benefits of this improved beam pattern, automatically, without placing any additional loads on the vehicle's stock headlight switches or wiring.

Installation is easily accomplished with common hand tools in a short period of time. In order to make your installation go as smoothly as possible, it is recommended that you read the instructions and plan your installation before starting.

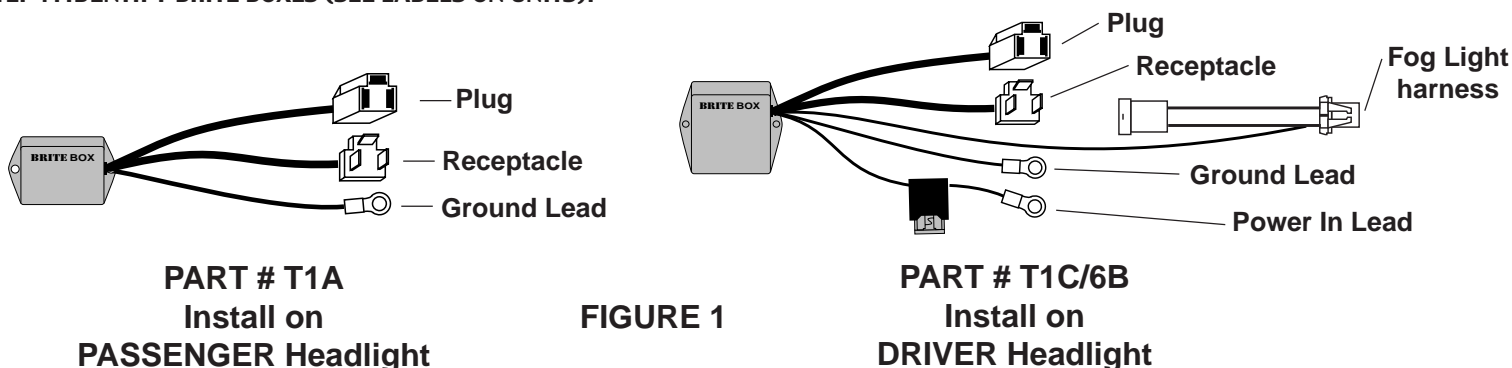
PARTS LIST:

- 1 – Brite Box Part # T1 A
- 1 – Brite Box Part # T1C/6B
- 1 – 15 Amp fuse
- 16 – Cable Ties (12 – 4 Inch, 4 – 6 Inch)
- 2 – Alcohol Pads

TOOLS REQUIRED:

- Assorted socket or open end wrenches – sizes dependent on vehicle.
- Wire Cutters

STEP 1: IDENTIFY BRITE BOXES (SEE LABELS ON UNITS):



STEP 2: DISCONNECT NEGATIVE BATTERY TERMINAL. IF YOUR VEHICLE HAS TWO BATTERIES, BOTH NEGATIVE TERMINALS MUST BE DISCONNECTED. WE HIGHLY RECOMMEND THAT YOU PLACE A RAG BETWEEN THE BATTERY POST(S) AND DISCONNECTED TERMINAL(S) TO PREVENT ACCIDENTAL CONTACT.

CAUTION: DO NOT ATTEMPT TO RECONNECT BATTERY OR BATTERIES UNTIL INSTALLATION OF BOTH BRITE BOX UNITS IS COMPLETE!

STEP 3: INSTALL BRITE BOX T1 A (SMALLER UNIT) ON PASSENGER HEADLIGHT

Figure Reference: Figure 1

Gain access to the back of headlight bulb. In their ultimate wisdom, many vehicle manufacturers require headlight removal to accomplish this. As this procedure varies greatly from vehicle to vehicle, please consult your owner's manual under "headlight bulb replacement" or similar topic for detailed instructions.

- ⇒ Remove Toyota's headlight plug from headlight bulb (it is NOT necessary to remove bulb from headlight assembly).
- ⇒ Insert just removed headlight plug into Brite Box's receptacle (See Fig.1)
- ⇒ Insert Brite Box's headlight plug into headlight bulb (See Fig.1)
- ⇒ Mount Brite Box to vehicle using double stick tape (clean mounting surface with supplied alcohol pad) or by wire tying it to an existing harness.

NOTE: KEEP BRITE BOX AWAY FROM HEAT SOURCES THAT CAN DAMAGE THE UNIT!

- ⇒ Be sure to observe UP orientation on Brite Box's label to allow for drainage should water enter unit.

NOTE: Water damage is not covered under warranty!

- ⇒ Attach Brite Box's ground lead to solid chassis ground. On most vehicles, there is a factory ground bolt on the inner fender.

- ⇒ Reinstall headlight if removal was necessary.
- ⇒ Secure all wires in a neat and tidy manner using supplied cable ties.

STEP 4: INSTALL BRITE BOX T1C/6B (LARGER UNIT) ON DRIVER HEADLIGHT

Figure Reference: Figure 1

- ⇒ Repeat installation procedure in Step 3 for Brite Box on driver side headlight.
- ⇒ Pay attention to Brite Box mounting location to avoid excessive heat and / or water intrusion.
- ⇒ **On this side of vehicle, best ground is obtained from negative battery cable.**
- ⇒ Attach ring on power lead from Brite Box directly to positive terminal of battery.
- ⇒ Install 15 amp fuse into fuse holder.
- ⇒ Run fog light harness to fog light that is located on the side of vehicle where you installed the Brite Box enclosure. **MAKE SURE WIRES DO NOT PASS OVER ANY SHARP / ROUGH OBJECTS THAT CAN CUT INTO INSULATION OVER TIME, CAUSING A SHORT CIRCUIT.**
- ⇒ Unplug factory connector from fog light bulb and plug it into female side of fog light harness. It is NOT necessary to remove bulb from fog light.
- ⇒ Plug remaining male connector of fog light harness into fog light bulb. Note: This connection WILL illuminate both fog lights.
- ⇒ Secure all wires in a neat and tidy manner using supplied cable ties.

STEP 5:

- ⇒ Double check all connections. Once you are sure connections are correct, you can reconnect battery terminal(s).

STEP 6: TEST BRITE BOX FOR PROPER OPERATION

- ⇒ Turn on HIGH beams on. You will notice greatly improved headlight output and coverage due to the low beams and fog lights staying on.

TECH AND ORDER LINE: (970) 879-4201
BAKER AUTO ACCESSORIES
2955 Village Dr. #5 / Box 880707 Steamboat Springs, CO 80488
Fax: (970) 879-6097
www.bakerautoaccessories.com

NOTE: DO NOT USE BRITE BOX WITH SO CALLED "EXTRA OR SUPER BRIGHT BULBS". EXPERIENCE HAS SHOWN THAT THESE BULBS ARE NOT MUCH BRIGHTER THAN STOCK BULBS, BURN OUT QUICKLY, ARE VERY COSTLY AND GENERATE MORE HEAT THAN MOST HEADLIGHT SYSTEMS CAN WITHSTAND. INSTALLING BRITE BOX WITH STANDARD WATTAGE BULBS (55 WATT LOW BEAM / 60 WATT HIGH BEAM) PROVIDES SUPERIOR ILLUMINATION (BETTER BEAM PATTERN WITH LESS FATIGUE) THAN A SLIGHTLY BRIGHTER, BUT INFERIOR BEAM PATTERN PROVIDED BY THESE "SUPER BRIGHT BULBS".

SOME FREE ADVICE ABOUT HEADLIGHT BULBS:

- Stick with Osram / Sylvania brand bulbs. Don't second guess the car makers.
- Carry spares in your glove box. It's cheap insurance. Changing a bulb usually takes only a few minutes, but you cannot replace a burned out one without a spare. If you have quality spares, you will never have to settle for cheap bulbs because that is the only thing that "Bob's Boonie Market And Service Station" stocks (if any at all).

BRITE BOX LIMITED WARRANTY

Baker Auto Accessories (B.A.A.) warrants Brite Box to be free from manufacturing defects under normal use and conditions for three (3) years from date of original user purchase. Baker Auto Accessories, at its sole discretion, will either repair the product or replace the product, provided the manufacturing defect is verified along with proof of purchase. To obtain warrant service call 1-970-879-4201.

This warranty is void if the product is:

- A) Damaged through negligence, misuse, abuse or accident.
- B) Modified, repaired, or tampered with by anyone other than B.A.A.
- C) Units on which the serial number has been defaced, modified or removed.

This warranty does not cover:

- A) Damage due to improper installation.
- B) Water, smoke, or heat damage.
- C) Damage or improper operation of unit caused by customer abuse, misuse, negligence, or failure to follow correct installation procedures as provided with product.
- D) Costs of shipping of the product to and from B.A.A.

This warranty is non-transferable and applies only to the original purchaser and does not extend to subsequent owners of the product. Any applicable implied warranties, including the warranty of merchantability, are limited in duration to a period of the expressed warranty as provided herein beginning with the date of original purchase at retail and no warranties, whether expressed or implied, shall apply to the product thereafter. Baker Auto Accessories makes no warranty as to the fitness of the product for any particular purpose or use.

The extent of Baker Auto Accessories' liability under this limited warranty is the repair or replacement provided above and, in no event, shall Baker Auto Accessories' liability exceed the purchase price paid by the purchaser of the product. Under no circumstances shall Baker Auto Accessories be liable for any loss, direct, indirect, incidental, special, or consequential damage arising out of or in connection with the use of this product.