

# BRITE BOX™ MODEL GM4+FLC/U

Made in U.S.A.

[www.thebritebox.com](http://www.thebritebox.com)

U.S. Pat. Pend.

## INSTALLATION INSTRUCTIONS

The BRITE BOX is a fully self contained device that illuminates your low beams when your high beams are on. This provides you with an even carpet of light that stretches from near to far. Without BRITE BOX, your low beams drop out when your high beams are on.

Additionally, this "FLC" (Fog Light Control) kit also incorporates control of your factory installed fog lights. As delivered from GM, your fog lights turn off when you engage your high beams. After installing this kit, your fog lights will remain on with high beams.

On many vehicles, you can simulate the operation of the BRITE BOX by activating the "flash to pass" function when your low beams are on. When doing this, you will see an increase in lighting brightness and the quality of the headlight's beam pattern. Many people try to drive like this, but often find out that the headlight switch or wiring of their vehicles burn out since they are not designed to handle these increased loads on a continual basis. With BRITE BOX, you can enjoy the benefits of this improved beam pattern, automatically, without placing any additional loads on the vehicle's stock headlight switches or wiring.

Installing your Brite Box is easily accomplished with common hand tools in a short period of time. In order to make your installation go as smoothly as possible, it is recommended that you read the instructions and plan your installation before starting.

### PARTS LIST:

- 1 - Brite Box
- 1 - 15 Amp ATC Fuse
- 1 - Red Scotchlok Connector
- 1 - Piece Heat Shrink Tubing
- 12 - Cable (Wire) Ties
- 2 - #8 x 1/2 Sheet Metal Screws
- 1 - Alcohol Pad

### TOOLS REQUIRED:

- Pliers
- #2 Philips Screwdriver (May be required)
- Soldering Iron / Solder (May be required)
- Optional - Drill with 1/8 inch bit

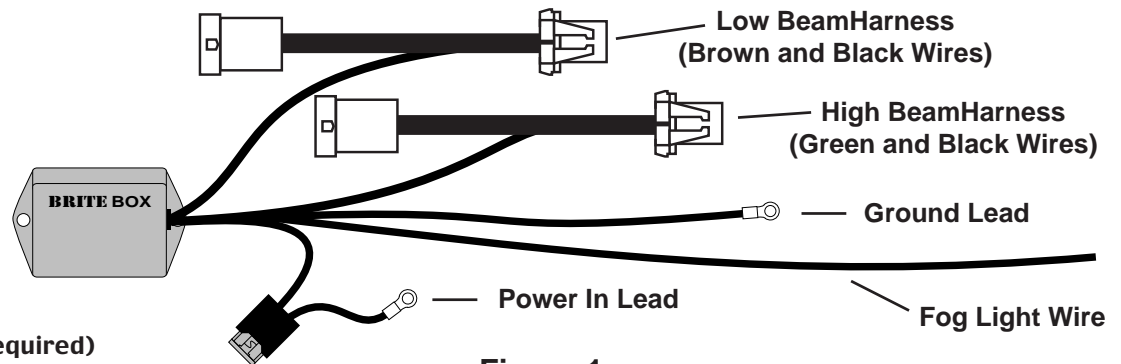


Figure 1

**STEP 1:** On driver's side of vehicle, remove headlamp. Headlamp removal procedure varies depending on year of vehicle. See the section in your owner's manual regarding replacement of headlight bulbs.

**STEP 2:** Find a suitable location to mount Brite Box on inner fender of vehicle. Make sure the low and high beam harnesses from Brite Box (see figure 1) can be run to the vehicle's headlight wires. The red wire (attached to fuse holder) of Brite Box must be able to reach positive (+) power lug near main underhood fuse box of truck.

**CAUTION!** Mount Brite Box as far away as possible from heat sources such as the engine and / or exhaust manifold. Units will not be warranted for heat damage.

**IMPORTANT NOTE!** OBSERVE "UP" ORIENTATION on Brite Box's label (WIRE GROMMET FACES DOWN). Mounting Brite Box this way allows any water that may enter the box to harmlessly drain out. Failure to mount Brite Box properly can lead to water damage that is not covered under warranty.

Once you find a suitable location, you can now mount your Brite Box. You can mount Brite Box in one of three ways:

A) Mount to solid surface with supplied sheet metal screws using mounting bosses. **DO NOT OVERTIGHTEN!**

Caution: Make sure you know what is behind mounting location BEFORE drilling holes.

B) Mount with supplied double sided tape. Caution: Thoroughly clean mounting surface on car with supplied alcohol

pad and let dry before mounting. Tape should be applied in temperatures in excess of 65° F. If temperature is lower, warm mounting surface and tape with hair dryer.

C) Mount Brite Box to existing wire harness or hood release cable by looping supplied cable ties through mounting bosses on Brite Box's enclosure and around existing harness or hood release cable.

**STEP 3: THIS STEP IS PERFORMED ON THE BULB IN THE LOW BEAM OR "FISHEYE" SIDE OF YOUR HEADLIGHT USING THE LOW BEAM HARNESS OF BRITE BOX THAT CONTAINS BROWN AND BLACK WIRES.**

**NOTE: It IS NOT necessary to remove bulb from headlamp assembly for this step.** Unplug vehicle's headlight plug from low beam (fisheye) headlight bulb. Take vehicle's low beam headlight plug and insert into GREY receptacle of Brite Box's low beam harness. Plug Brite Box's low beam (grey) headlight plug into low beam headlight bulb. Make sure you route Brite Box's harness in a manner which allows the headlamp assembly to be easily reinstalled.

**STEP 4: THIS STEP IS PERFORMED ON THE BULB IN THE HIGH BEAM SIDE OF YOUR HEADLIGHT USING THE HIGH BEAM HARNESS OF BRITE BOX THAT CONTAINS GREEN AND BLACK WIRES.**

**NOTE: It IS NOT necessary to remove bulb from headlamp assembly for this step.** Unplug vehicle's headlight plug from high beam headlight bulb. Take vehicle's high beam headlight plug and insert into BLACK receptacle of Brite Box's high beam harness. Plug Brite Box's high beam (black) headlight plug into high beam headlight bulb. Make sure you route Brite Box's harness in a manner which allows the headlamp assembly to be easily reinstalled.

**STEP 5: Route Brite Box's FOG LIGHT WIRE (see Fig. 1) to fog light on same side of truck where you installed Brite Box. This wire only needs to be connected to one fog light to work both of them. Make sure wires do not pass over any rough / sharp edges that can wear through the insulation and cause a short circuit over time. Use supplied cable ties to secure fog light wire in a neat and tidy manner.**

**STEP 6: Use voltage tester to find positive (+) wire of fog light bulb on driver's side of truck. This wire will go "hot" whenever the fog lights turn on.**

**STEP 7: Trim Brite Box's fog light wire to length and connect to fog light wire of vehicle as found in Step 6. Solder connection (insulate with supplied heat shrink tubing) or use supplied Scotchlok connector.**

**STEP 8: Attach red wire from Brite Box to positive battery terminal or power lug on underhood fuse box (preferred). Insert fuse into fuse holder and close lid to protect fuse from the elements.**

**STEP 9: Attach black wire of Brite Box to chassis ground.**

**STEP 10: Testing Brite Box. . . .**

- A) Place vehicle facing wall or surface/road that permits you to see headlight pattern.
- B) Turn ignition key to ON. (This is necessary since most GM vehicle's fog lights work ONLY with the ignition key on).
- C) Turn on headlight switch, activate LOW beams with FOG lights.
- D) Engage HIGH beams. Low beams and fog lights will stay on.
- F) After verifying proper operation of Brite Box, close cover on fuse holder to protect fuse from elements.

**STEP 10: Finish installation by using supplied cable ties to secure all excess wire in a neat and tidy manner.**

**STEP 11: REINSTALL HEADLIGHT BY REVERSING REMOVAL PROCEDURE.**

**TELL YOUR FRIENDS ABOUT BRITE BOX!  
TECH AND ORDER LINE: (970) 879-4201  
BAKER AUTO ACCESSORIES  
2955 Village Dr. #5  
Steamboat Springs, CO 80488  
M-F 9:00 AM TO 4 PM MST  
FAX (970) 879-6097**

# **BOOST YOUR LOW BEAM OUTPUT BY 70% WITH THE FAMOUS BULBZILLA / FOGZILLA HARNESS KIT!**

**SEE:**

**<http://thebritebox.com/bulbzilla.fogzilla.mod.html>  
FOR COMPLETE DETAILS!**

## **BRITE BOX LIMITED WARRANTY**

Baker Auto Accessories (B.A.A.) warrants Brite Box to be free from manufacturing defects under normal use and conditions for three (3) years from date of original user purchase.

Baker Auto Accessories, at its sole discretion, will either repair the product or replace the product, provided the manufacturing defect is verified along with proof of purchase. To obtain warrant service call 1-970-879-4201.

This warranty is void if the product is:

- A) Damaged through negligence, misuse, abuse or accident.
- B) Modified, repaired, or tampered with by anyone other than B.A.A.
- C) Units on which the serial number has been defaced, modified or removed.

This warranty does not cover:

- A) Damage due to improper installation.
- B) Water, smoke, or heat damage.
- C) Damage or improper operation of unit caused by customer abuse, misuse, negligence, or failure to follow correct installation procedures as provided with product.
- D) Costs of shipping of the product to and from B.A.A.

This warranty is non-transferable and applies only to the original purchaser and does not extend to subsequent owners of the product. Any applicable implied warranties, including the warranty of merchantability, are limited in duration to a period of the expressed warranty as provided herein beginning with the date of original purchase at retail and no warranties, whether expressed or implied, shall apply to the product thereafter. Baker Auto Accessories makes no warranty as to the fitness of the product for any particular purpose or use.

The extent of Baker Auto Accessories' liability under this limited warranty is the repair or replacement provided above and, in no event, shall Baker Auto Accessories' liability exceed the purchase price paid by the purchaser of the product. Under no circumstances shall Baker Auto Accessories be liable for any loss, direct, indirect, incidental, special, or consequential damage arising out of or in connection with the use of this product.

Baker Auto Accessories  
2955 Village Dr. #5  
P.O. Box 880707  
Steamboat Springs, CO 80488  
(970) 879-4201