

Kit To Convert 1999 - 2002 Dodge Ram to Quad Headlamps

This kit allows owners of 1999 – 2002 Dodge Ram pickups to install the quad headlamps from the 1999 – 2002 Dodge Ram Sport. In addition to adapting the wiring of the trucks, this kit also adds "The Brite Box effect" to the quad headlamps.

On many vehicles, you can simulate the operation of the BRITE BOX by activating the "flash to pass" function when your low beams are on. When doing this, you will see an increase in lighting brightness and the quality of the headlight's beam pattern. Many people try to drive like this, but often find out that the headlight switch or wiring of their vehicles burn out since they are not designed to handle these increased loads on a continual basis. With BRITE BOX, you can enjoy the benefits of this improved beam pattern, automatically, without placing any additional loads on the vehicle's stock headlight switches or wiring.

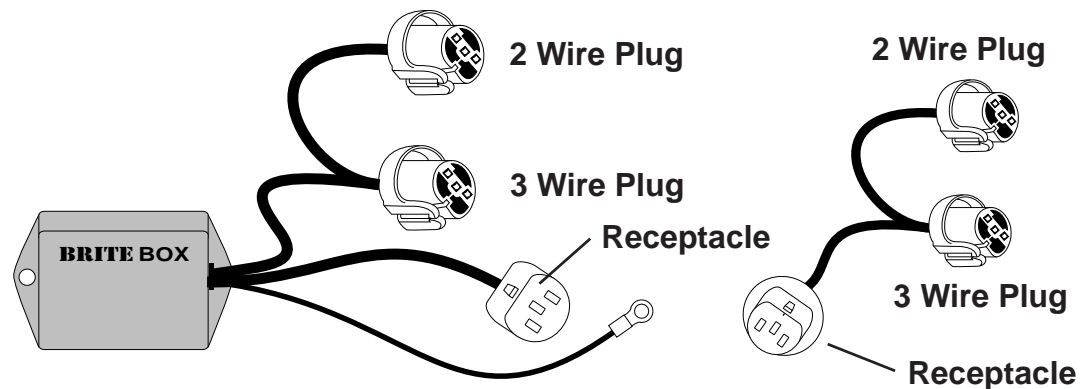
NOTE: IT IS ASSUMED THAT YOU HAVE ALREADY INSTALLED THE QUAD HEADLAMPS INTO YOUR TRUCK AND ARE READY TO WIRE THEM. Installing this kit is easily accomplished with common hand tools in a short period of time. In order to make your installation go as smoothly as possible, it is recommended that you read the instructions and plan your installation before starting.

PARTS LIST:

- 1 – BRITE BOX
- 8 – Cable (Wire) Ties
- 2 – #8 x 1/2 Sheet Metal Screws
- 1 – Alcohol Pad
- 1 – Adaptor Harness

TOOLS REQUIRED:

- Wrench to fit your positive battery post / clamp – 13mm or 1/2 inch.
- Medium slotted screwdriver
- Optional – Drill with 1/8 inch bit & #2 Philips screwdriver

**Figure 1**

STEP 1: Install headlamp bulbs into headlamps. Outboard lamps use a 9007 bulb, inboard headlamps use a 9004 bulb.

STEP 2: Plan your installation. The Brite Box should be installed on whatever side of the truck the battery is located. Note: If you have a diesel vehicle with dual batteries, the passenger side of the vehicle usually allows more room to install the Brite Box.

STEP 3: Find a location to mount Brite Box. Make sure car's headlight plug can reach the receptacle (see figure 1) of Brite Box, and that Brite Box's plug (see figure 1) can reach headlight bulb. The red wire (attached to fuse holder) of Brite Box must also be able to reach negative (-) battery cable.

CAUTION! Mount Brite Box as far away as possible from heat sources such as the engine and / or exhaust manifold. Units will not be warranted for heat damage.

IMPORTANT NOTE! OBSERVE "UP" ORIENTATION on Brite Box's label (WIRE GROMMET FACES DOWN). Mounting Brite Box this way allows any water that may enter the box to harmlessly drain out. Failure to mount Brite Box properly can lead to water damage that is not covered under warranty.

Once you find a suitable location, you can now mount your Brite Box. You can mount Brite Box in one of three ways:

A) Mount to solid surface with supplied sheet metal screws using mounting bosses. **DO NOT OVERTIGHTEN!**

Caution: Make sure you know what is behind mounting location BEFORE drilling holes.

B) Mount with supplied double sided tape. Caution: Thoroughly clean mounting surface on car with supplied alcohol pad and let dry before mounting. Tape should be applied in temperatures in excess of 65° F. If temperature is lower, warm mounting surface and tape with hair dryer.

C) Mount Brite Box to existing wire harness or hood release cable by looping supplied cable ties through mounting bosses on Brite Box's enclosure and around existing harness or hood release cable.

STEP 4: On the side of the vehicle where you are installing Brite Box, plug stock headlamp plug into Brite Box's receptacle. See figure 1.

STEP 5: Plug 3 WIRE headlamp plug from Brite Box into outboard headlamp (bulb #9007) on side of truck where Brite Box is installed.

STEP 6: Plug 2 WIRE headlamp plug from Brite Box into inboard headlamp (bulb #9004) on side of truck where Brite Box is installed.

STEP 7: On other headlamp, plug stock headlamp plug into receptacle of supplied adaptor harness. See figure 1.

STEP 8: Plug 3 WIRE headlamp plug from adaptor harness into outboard headlamp (bulb #9007) on side of truck where adaptor harness is installed.

STEP 9: Plug 2 WIRE headlamp plug from adaptor harness into inboard headlamp (bulb #9004) on side of truck where adaptor harness is installed.

STEP 10: Test headlamp operation

Place truck facing wall or surface/road that permits you to see headlight pattern.

On LOW beam, outboard headlamps only should light.

On HIGH beam, both outboard and inboard headlamps should light

STEP 11: Testing Brite Box effect:

A) Turn on headlight switch, activate high beams.

B) While observing headlight output, touch ring of black wire to negative battery terminal. You should see the low beam pattern appear from the outboard headlamps only. Note: Dodge has designed the inboard headlamps as a high beam lamp ONLY. Attach black wire to negative battery post.

STEP 12: Finish installation by using supplied cable ties to secure all excess wire in a neat and tidy manner.

NOTE: DO NOT USE BRITE BOX WITH SO CALLED "EXTRA OR SUPER BRIGHT BULBS". EXPERIENCE HAS SHOWN THAT THESE BULBS ARE NOT MUCH BRIGHTER THAN STOCK BULBS, BURN OUT QUICKLY, ARE VERY COSTLY AND GENERATE MORE HEAT THAN MOST HEADLIGHT SYSTEMS CAN WITHSTAND. INSTALLING BRITE BOX WITH STANDARD WATTAGE BULBS (120 WATTS OR LESS FOR HIGH + LOW BEAM) PROVIDES SUPERIOR ILLUMINATION (BETTER BEAM PATTERN WITH LESS FATIGUE) THAN A SLIGHTLY BRIGHTER INFERIOR BEAM PATTERN PROVIDED BY THESE "SUPER BRIGHT BULBS".

TELL YOUR FRIENDS ABOUT BRITE BOX!

**TECH AND ORDER LINE: (970) 879-4201
BAKER AUTO ACCESSORIES
2955 Village Dr. #16 / Box 880707
Steamboat Springs, CO 80488
M-F 9:00 AM TO 4 PM MST
FAX (970) 879-6097**

**BECAUSE OF THEIR SUPERIOR QUALITY, MORE AUTO
MANUFACTURERS SPECIFY OSRAM / SYLVANIA HEADLIGHT BULBS AS OEM EQUIPMENT THAN ALL
OTHER BRANDS COMBINED.**

**OUR EXPERIENCE CONFIRMS THE QUALITY OF OSRAM / SYLVANIA BULBS IN THAT THEY LAST THE
LONGEST AND HAVE THE LOWEST FAILURE RATE.**

We have seen bulb brands that you should avoid. These brands are WAGNER and GE (General Electric). These brands are poorly designed (in our opinion) in that they use VERY thin wires to deliver current to the bulb filaments. This causes problems in bulb life and reliability. It is common to see these wires break or deform which causes the bulb to prematurely fail. In fact, it is probably best to avoid any headlight bulbs whose reliability you are not sure of.

SOME FREE ADVICE ABOUT HEADLIGHT BULBS:

• **Stick with Osram / Sylvania brand bulbs. Don't second guess the car makers. If you have a hard time finding them, we stock Osram /Sylvania bulbs.**

• **Carry spares in your glove box. It's cheap insurance. Murphy's law says bulbs will burn out in the worst weather, on the darkest road, far from home. Changing a bulb usually takes only a few minutes, but you cannot replace a burned out one without a spare. If you have quality spares, you will never have to settle for cheap bulbs because that is the only thing that "Bob's Boonie Market And Service Station" stocks (if any at all).**

BRITE BOX LIMITED WARRANTY

Baker Auto Accessories (B.A.A.) warrants Brite Box to be free from manufacturing defects under normal use and conditions for three (3) years from date of original user purchase.

Baker Auto Accessories, at its sole discretion, will either repair the product or replace the product, provided the manufacturing defect is verified along with proof of purchase. To obtain warrant service call 1-970-879-4201.

This warranty is void if the product is:

- A) Damaged through negligence, misuse, abuse or accident.
- B) Modified, repaired, or tampered with by anyone other than B.A.A.
- C) Units on which the serial number has been defaced, modified or removed.

This warranty does not cover:

- A) Damage due to improper installation.
- B) Water, smoke, or heat damage.
- C) Damage or improper operation of unit caused by customer abuse, misuse, negligence, or failure to follow correct installation procedures as provided with product.
- D) Costs of shipping of the product to and from B.A.A.

This warranty is non-transferable and applies only to the original purchaser and does not extend to subsequent owners of the product. Any applicable implied warranties, including the warranty of merchantability, are limited in duration to a period of the expressed warranty as provided herein beginning with the date of original purchase at retail and no warranties, whether expressed or implied, shall apply to the product thereafter. Baker Auto Accessories makes no warranty as to the fitness of the product for any particular purpose or use.

The extent of Baker Auto Accessories' liability under this limited warranty is the repair or replacement provided above and, in no event, shall Baker Auto Accessories' liability exceed the purchase price paid by the purchaser of the product. Under no circumstances shall Baker Auto Accessories be liable for any loss, direct, indirect, incidental, special, or consequential damage arising out of or in connection with the use of this product.

Baker Auto Accessories
2955 Village Dr. #16
P.O. Box 880707
Steamboat Springs, CO 80488
(970) 879-4201